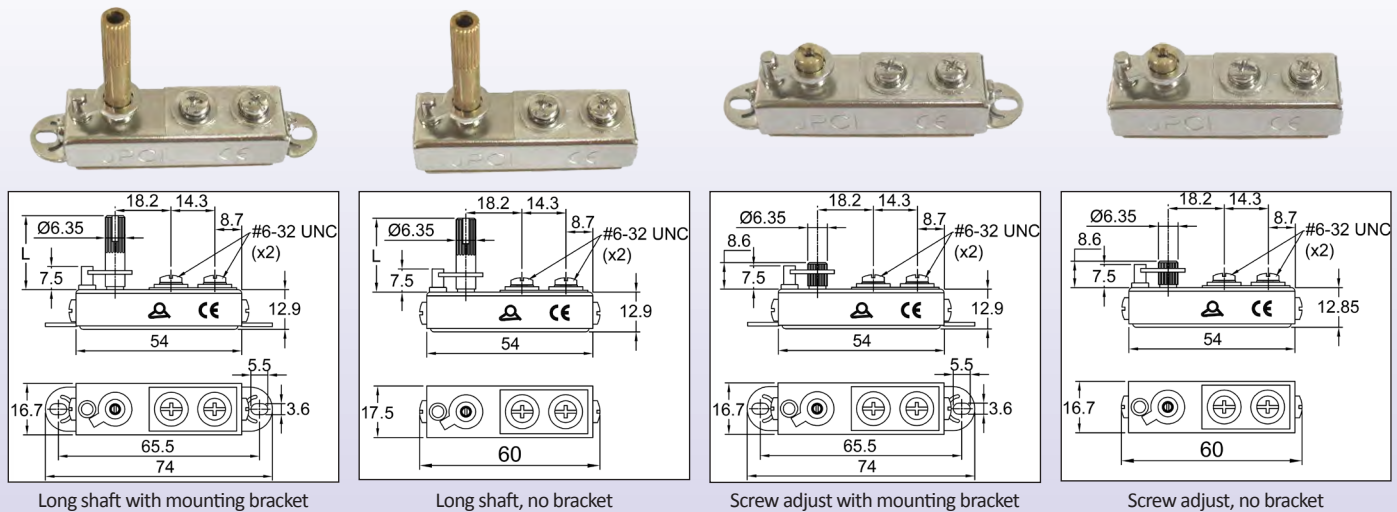


Surface mounting thermostats Type IB

DIMENSIONS



TECHNICAL FEATURES

Applications: Precise and adjustable surface temperature control on heating plates, silicone heating pads, foil heaters

Housing dimensions: 58.5 x 17.5 x 17.5mm (shaft and bracket not included)

Material: Metal /ceramic housing

Temperature sensing element: High conductivity copper alloy

Terminals: 2 x #6-32 screw terminals

Adjustment: Dia. 6.35mm round shaft, 32 mm length, 310° mechanical rotation, or screw adjustment (other lengths, rotation or fixed setting available on request)

Mounting:

- Without bracket or with surface mounting bracket,
- 2 holes dia. 3.4 mm, 65.5 mm distance

Rating: 1500 watts 110/250VAC, resistive (Slow make and break action)

Contact: Open on temperature rise only

Differential: lower than 1° C

Max ambient temperature on housing: 300°C

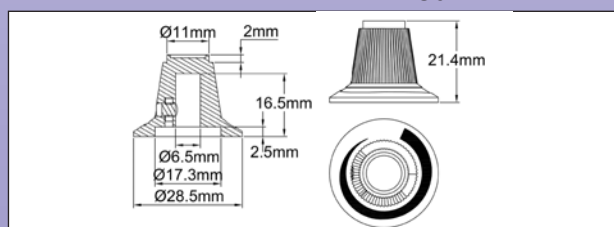
Accessories: Knobs

Approval: Comply with UL 873 standard (limit or control)

Main references

| References | Shaft length (L) | Bracket | High stop Temperature calibration °C (°F) | Approx. temperature span between min. and max. position °C (°F) |
|------------------|------------------|---------|---|---|
| IBJ2000608313001 | Screw adjustment | No | 150 (300) | 160 (290) |
| IBJ2000608316002 | Screw adjustment | No | 315 (600) | 330 (590) |
| IBK2000608313001 | Screw adjustment | Yes | 150 (300) | 160 (290) |
| IBK2000608316002 | Screw adjustment | Yes | 315 (600) | 330 (590) |
| IBJ2000632313001 | 32 mm | No | 150 (300) | 160 (290) |
| IBJ2000632315302 | 32 mm | No | 275 (530) | 330 (590) |
| IBJ2000632316002 | 32 mm | No | 315 (600) | 330 (590) |
| IBK2000632313001 | 32 mm | Yes | 150 (300) | 160 (290) |
| IBK2000632315302 | 32 mm | Yes | 275 (530) | 330 (590) |
| IBK2000632316002 | 32 mm | Yes | 315 (600) | 330 (590) |

Knob



For 6.35 mm diameter shaft, black PPS, white crescent.
Max temperature on knob 200°C/392°F

Reference 66MB060000010MW

Other knobs that fit this type: see last section of this catalogue

